

## 24" Steel Corrugated Container with HOPPER FRONT option.



Model No. Unpainted	Tare Wt.	*Nominal I.D. L x W x H	Overall Dimensions L x W x H
51021-HF30	125 lbs.	24" x 30" x 24"	37" x 31.5" x 29.5"
51016-HF35	138 lbs.	30" x 30" x 24"	43" x 31.5" x 29.5"
51017-HF35	149 lbs.	30" x 35" x 24"	43" x 36.5" x 29.5"
51018-HF42	165 lbs.	30" x 42" x 24"	43" x 43.5" x 29.5"
51006-HF35	161 lbs.	35" x 35" x 24"	48" x 36.5" x 29.5"
51007-HF42	185 lbs.	35" x 42" x 24"	48" x 42.5" x 29.5"
51008-HF48	195 lbs.	35" x 48" x 24"	48" x 49.5" x 29.5"
51009-HF42	197 lbs.	42" x 42" x 24"	55" x 43.5" x 29.5"
51010-HF48	221 lbs.	42" x 48" x 24"	55" x 49.5" x 29.5"
51011-HF48	238 lbs.	48" x 48" x 24"	61" x 49.5" x 29.5"

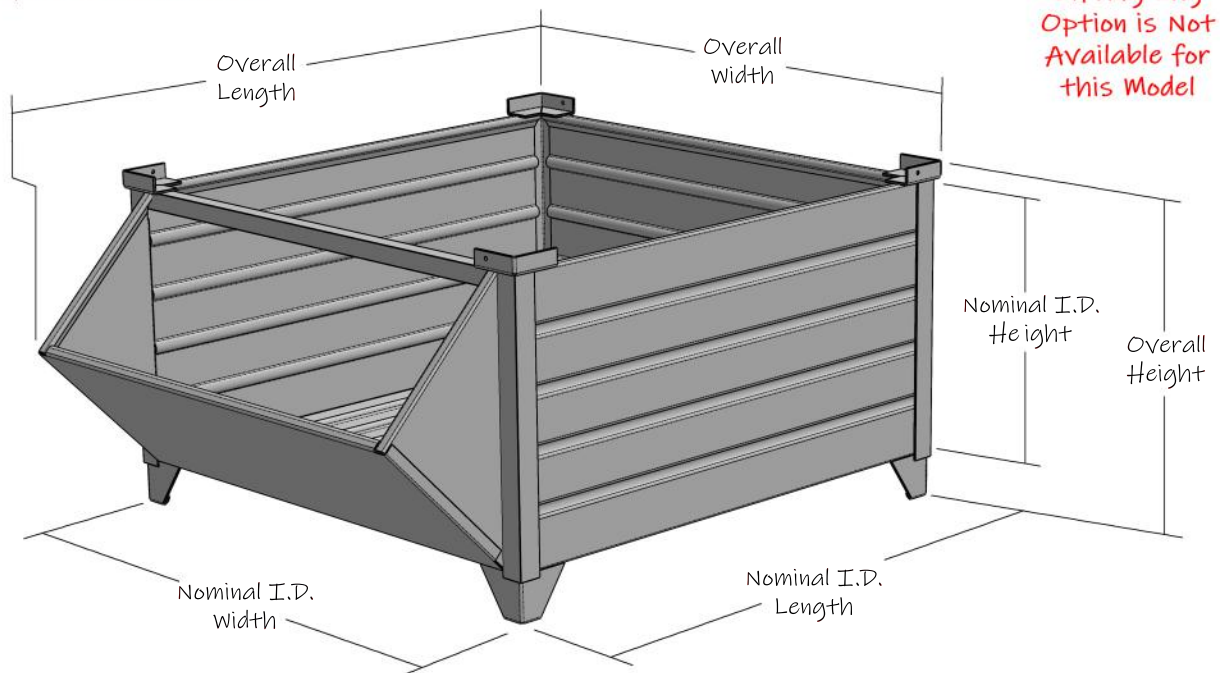
\*(L xW) are measured from outside wall-to-wall and (H) is the outside height of the wall. To calculate clear/usable ID -1.63" from (LxW) Nominal ID & -1.25" from (H) Nominal ID.

**CAPACITY:** 4,000 lbs. (UDL) uniformly distributed load.  
**STATIC STACKING:** 5 High maximum, empty and/or full.  
**SHIP STACKING:** 3 High maximum in High Cube Dry Van. FOB WI 53177, NMFC 9950-01; Class 200.  
**HANDLING:** 4" Four-way under clearance on all sides.  
**MATERIAL:** Plain carbon steel construction throughout.  
**FINISH 1:** Unpainted, bare/raw steel.  
**FINISH 2:** Industrial enamel applied direct to metal inside & out but not including underside.  
**COLORS:** Blue, Green, Grey, Teal or Black.  
**OTHER:** Containers will not hold liquids or parts smaller than a 5/8" ball bearing and are not FDA approved.

Hopper Front is Fixed Open and Does Not Close

Lifting Lug Option is Not Available for this Model

Custom Sizes Available Upon Request



1729 NE Frontage Road  
 Sturtevant, WI 53177  
 Ph: 262-886-6931  
 Sales@TopperIndustrial.com

MADE IN THE USA

Since 1997

TOPPER, INC. © COPYRIGHT 2022